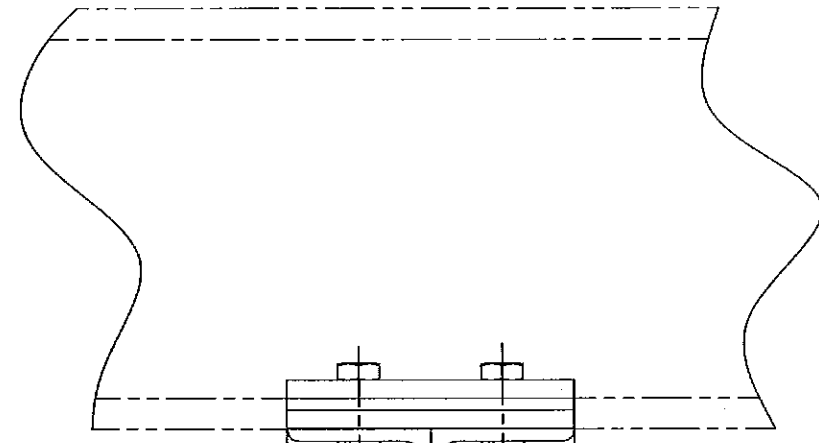
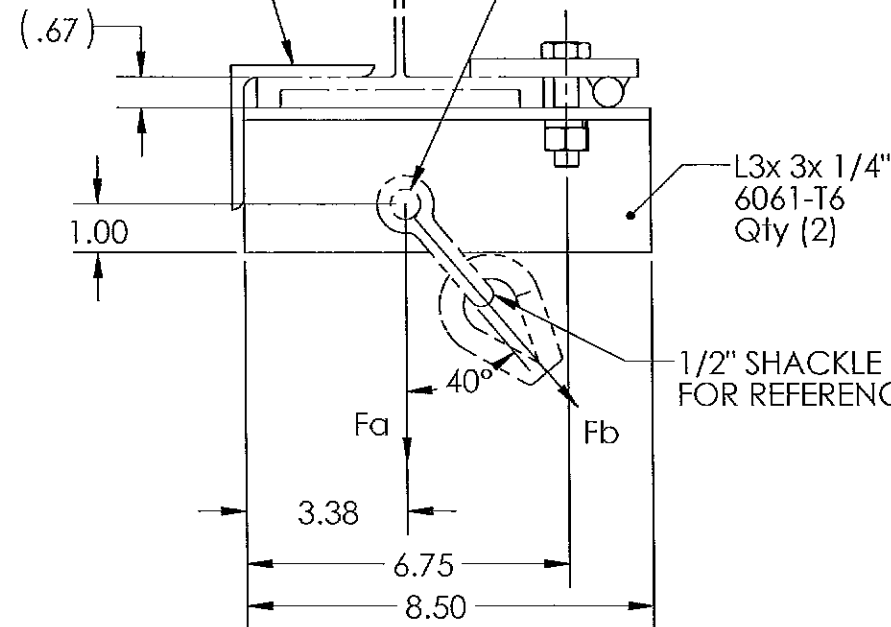


EXISTING ALUMINUM DOME STRUT
 L3x 3x 1/4" x 6" LG 6061-T6
 DRILL ϕ .688" THRU



1/2" x 2.25" LG SS BOLT
 W/ SS LOCKWASHER
 & SS NUT
 2 PL

LOAD CASE	WEIGHT	STRESS	F.O.S.*
Fa	800 Lbs	5,800 psi	6.5
Fb**	700 Lbs	7,730 psi	5.0
*Based on UTS of 38,000 psi			
**Calculated at 45 degree angle			

UNLESS OTHERWISE NOTED ON
 DRAWING ALL TOLERANCES
 TO BE AS FOLLOWS:
 FRACTIONAL SIZES \pm 1/64
 DECIMAL SIZES \pm .005
 ANGLES \pm 1/4°
 BREAK ALL SHARP EDGES

Texas Science Co.
 5423 Jackwood Drive
 San Antonio, Texas 78238

SEA WORLD STRUT STRONG POINT

BY: R.L.R.
REV: -
DATE OF LAST REVISION: -
DWG. & FILE NAME: -
SIZE: PLOT SCALE: 1" = 1"
SCALE: 1" = 1"

DRAWN BY: R.L.R.
 ISSUED: 11/18/10

MATERIAL:
 WEIGHT: Lbs